



**KPR-FAST K 12 FRAME PLUG WITH HEX & TORX HEAD SCREW**

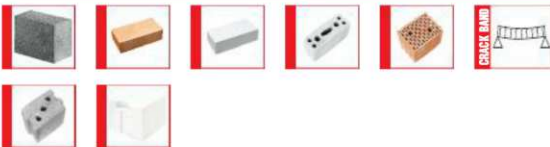
**NEW!**



**APPLICATION**

For facade fixing of wooden members, battens and cover trims, steel profiles in cavity brick walls.

**SUBSTRATE**



**INSTALLATION DATA**

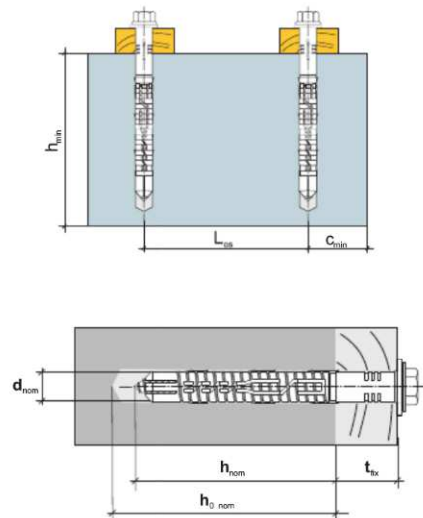
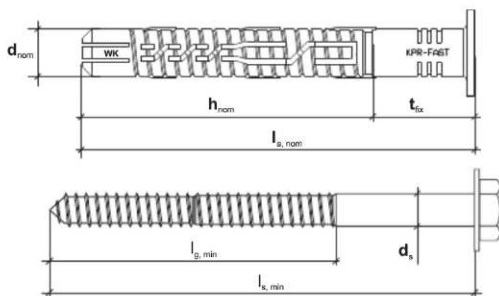
Substrate	Minimum edge distance $c_{min}$ (mm)	Min. member thickness $h_{min}$ (mm)
concrete C20/25	60	100
clay brick,	100	120
calcium silicate brick	100	120
hollow masonry	100	250
AAC	100	250

**SPECIFICATIONS**

Plug material	<b>NYLON</b>
Screw material	steel
Corrosion protection	zinc

**RESISTANCE**

Check out - page 33



**TECHNICAL DATA**

Code and size	Recessed drive type	Hex head	Drill hole diameter $d_{nom}$ [mm]	Plug length $l_s$ [mm]	Screw diameter and length $d_s \times l_s$ [mm]	Minimum depth of drilled hole $h_{s, nom}$ [mm]	Minimum anchorage depth $h_{nom}$ [mm]	Maximum fixture thickness $t_{bx}$ [mm]
KPR-FAST - 12 x 80 K	TORX40	13	12	80	8,0 x 85	80	70	10
KPR-FAST - 12 x 100 K	TORX40	13	12	100	8,0 x 105	80	70	30
KPR-FAST - 12 x 120 K	TORX40	13	12	120	8,0 x 125	80	70	50
KPR-FAST - 12 x 140 K	TORX40	13	12	140	8,0 x 145	80	70	70
KPR-FAST - 12 x 160 K	TORX40	13	12	160	8,0 x 165	80	70	90
KPR-FAST - 12 x 180 K	TORX40	13	12	180	8,0 x 185	80	70	110
KPR-FAST - 12 x 200 K	TORX40	13	12	200	8,0 x 205	80	70	130
KPR-FAST - 12 x 230 K	TORX40	13	12	230	8,0 x 235	80	70	160
KPR-FAST - 12 x 260 K	TORX40	13	12	260	8,0 x 265	80	70	190
KPR-FAST - 12 x 300 K	TORX40	13	12	300	8,0 x 305	80	70	220
KPR-FAST - 12 x 330 K	TORX40	13	12	330	8,0 x 335	80	70	250
KPR-FAST - 12 x 360 K	TORX40	13	12	360	8,0 x 365	80	70	280