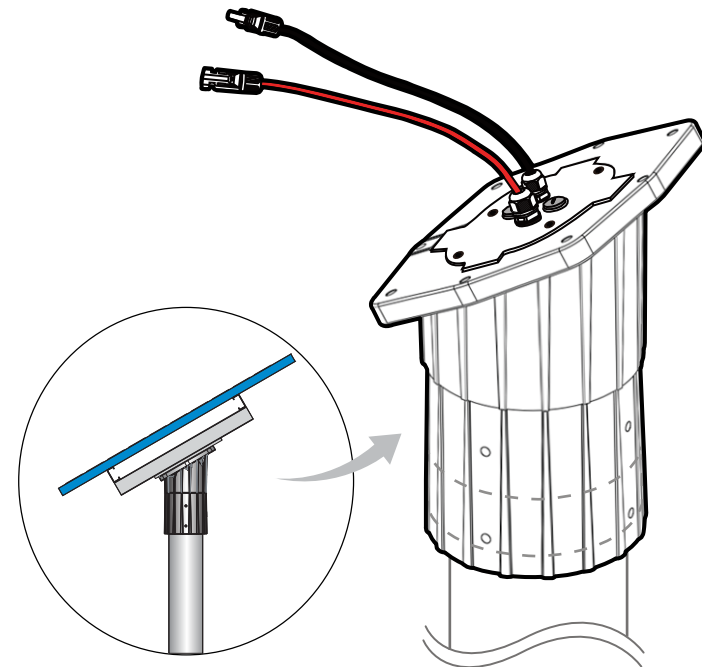


USER MANUAL

Solar Tracker

MODEL NO. ■ RT-S

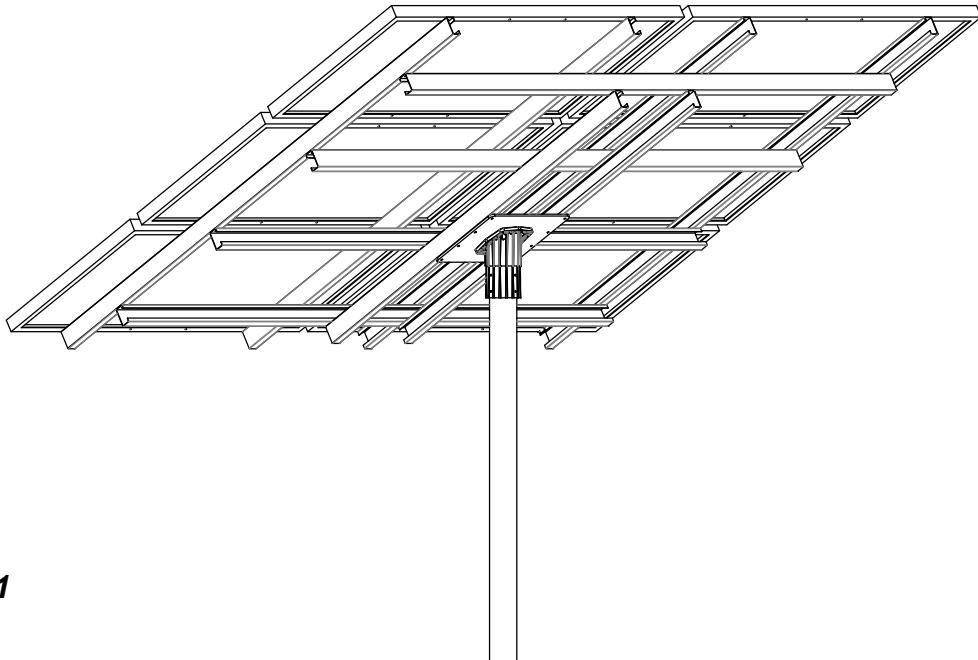


519 Haegwang-ro, Haeryong, Suncheon, Jeonnam, Korea
Tel. 061-723-1113 Fax. 061-723-4440 <http://www.reeltech.co.kr>

- Thank you for purchasing this product.
- Please read this user manual carefully before use.
- This user manual includes the product warranty, so please keep it carefully.

◆ Index

Product Structure	2
Installation Method	3~4
In case of product failure	5
Product Specification	5
Product Warranty	6



Product Warranty

Product	Solar Tracker	Model	RT-S
Warranty		Purchase	

1. This product is made through strict quality control and inspection procedure.
2. After filling out the prescribed form in the warranty card at the time of purchase, keep it together with the user manual until the product is disposed of.

Free Service

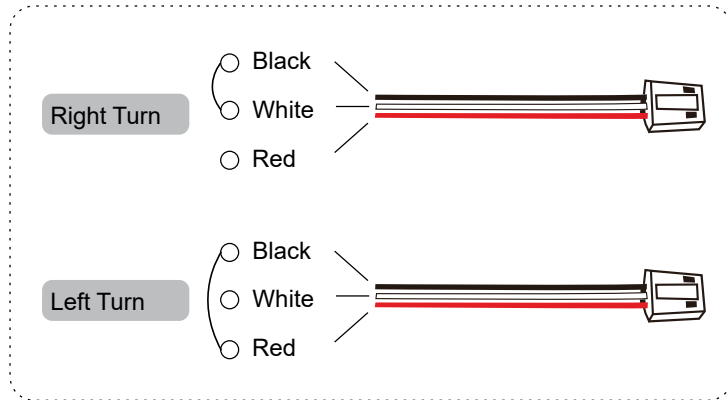
- In the case of a malfunction that occurs within the warranty period under normal use, please send the product to the seller or head office and we will exchange it free of charge.

Paid Service

- In case of failure due to careless handling by the customer
- When a customer opens a product
- In case of failure due to not observing the rated power
- In case of failure or damage caused by dropping
- In case of failure due to use for other purposes
- In case of failure due to natural disasters (fire, salt damage, flood damage, lightning strike, earthquake, etc.)
- In case of re-installation due to consumer's inexperience installation

◆ In case of product failure

1. Check if the connector is well inserted or not.
2. Check the secondary output voltage (DC24V) of the SMPS.
3. Check the 1st input voltage of SMPS (DC100~280V).
4. Plug in the manual control cable connector and rotate it left and right.

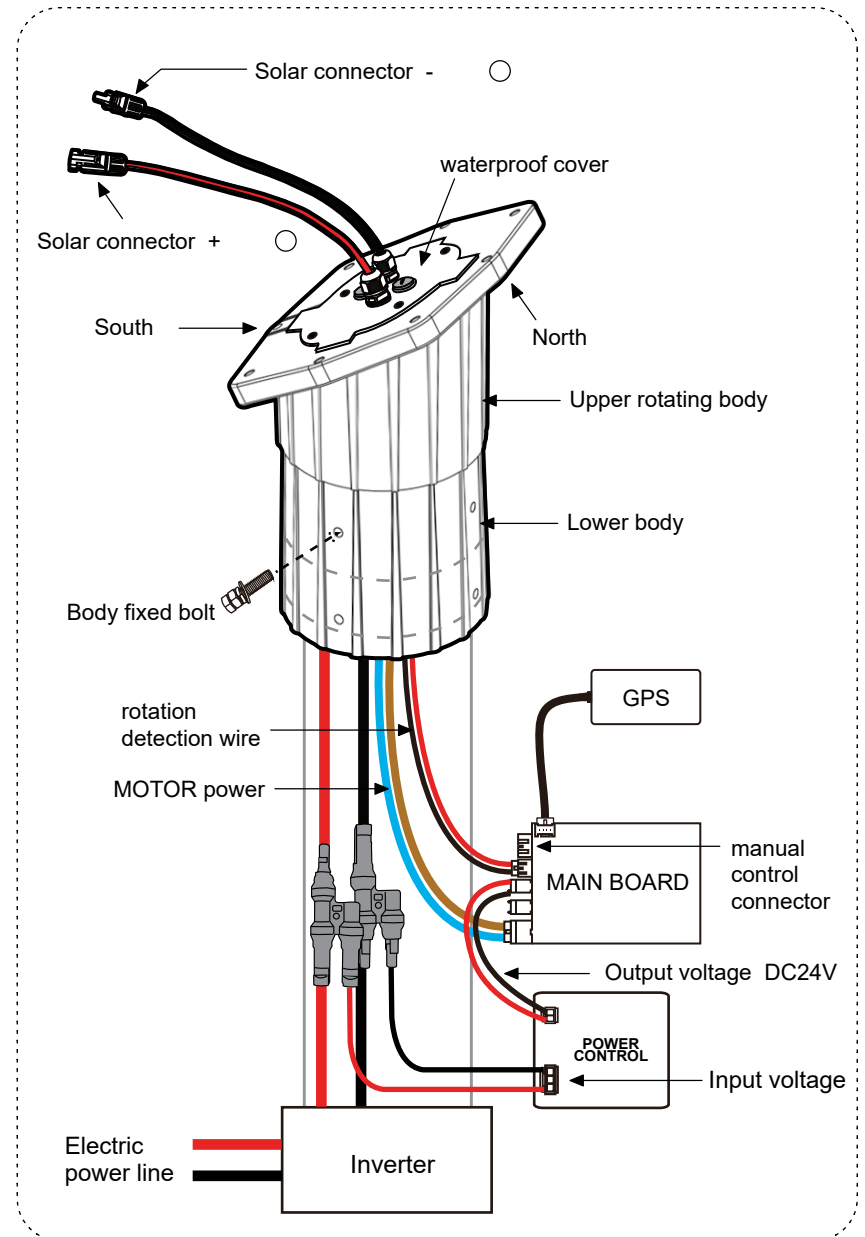


5. Unplug the manual control wire connector and check if it is tracking the Sun by GPS.

◆ Product Specification

Model No.	RT-S
Dimension	260 x 360 x 180mm(I.D 140mm)
Weight	14.5kg
Material	Aluminum
1st input voltage	DC100 ~ 280V
2nd output voltage	DC24V

◆ Product Structure



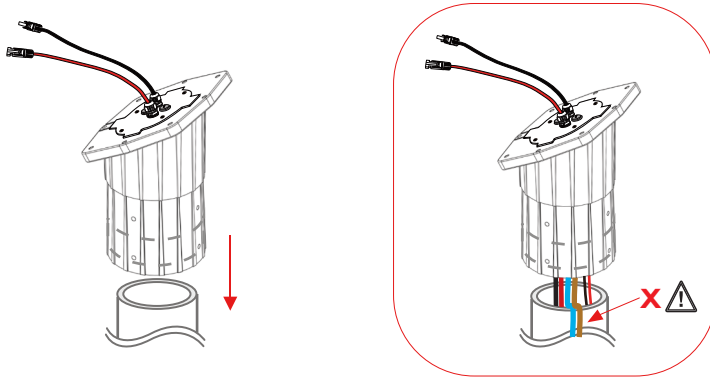
◆ Installation Method

⚠ Cautions

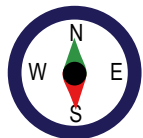
- When inserting the Solar tracker into the pole, do not put your hand on the top of the pole to avoid pinching your hand.
- Connect the solar panel power connector after installation is complete.

1. Insert the product vertically into the pole.

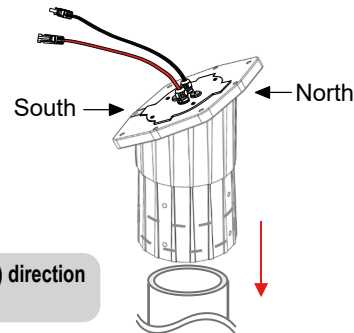
- ⚠ Be careful that the wire at the bottom of the product is not pinched between the pole and the product.



2. Place the compass on the N (north) of the product and align the S/N direction of the compass with the S/N direction of the product.

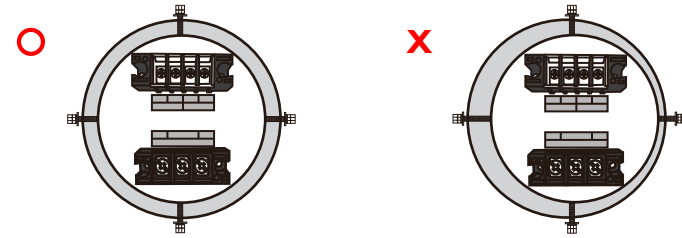


- S : South
- N : North



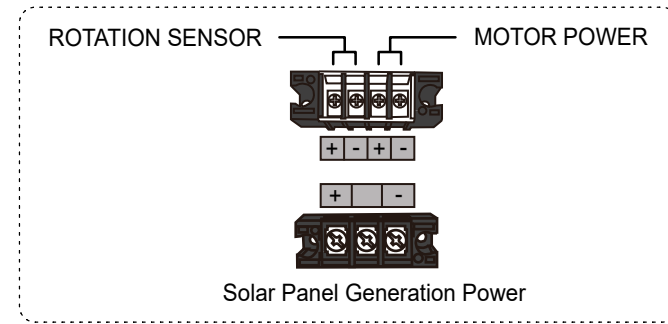
- ◆ The Solar tracker is set in the south (S) direction and shipped from the factory.

3. Fix it with 8 hexagonal bolts (M10X30) while checking the gap between the pole and the product.

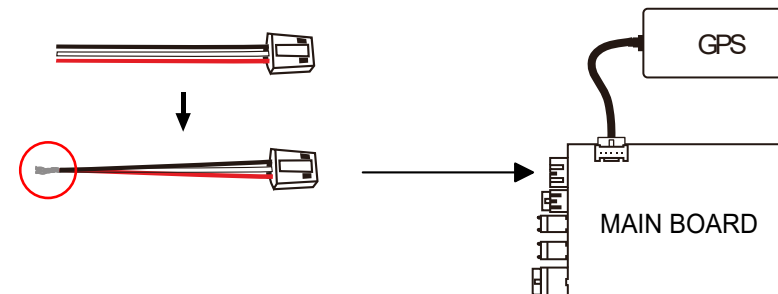


4. Check that the wires are connected in the correct positions.

For wire connector connection of MAIN BOARD, refer to product structure on page 2.



5. Join the 3 wires of the manual control cable as shown in the picture and insert them into the MAIN BOARD connector.



6. Unplug the manual control cable connector. It rotates automatically tracking the Sun's position by GPS.