

Click object to rotate

Pro

Wideband 40mm LNB with Horizontal/Vertical ports

IDLP-WDB01-OOPRO-OPP

Item: 5277



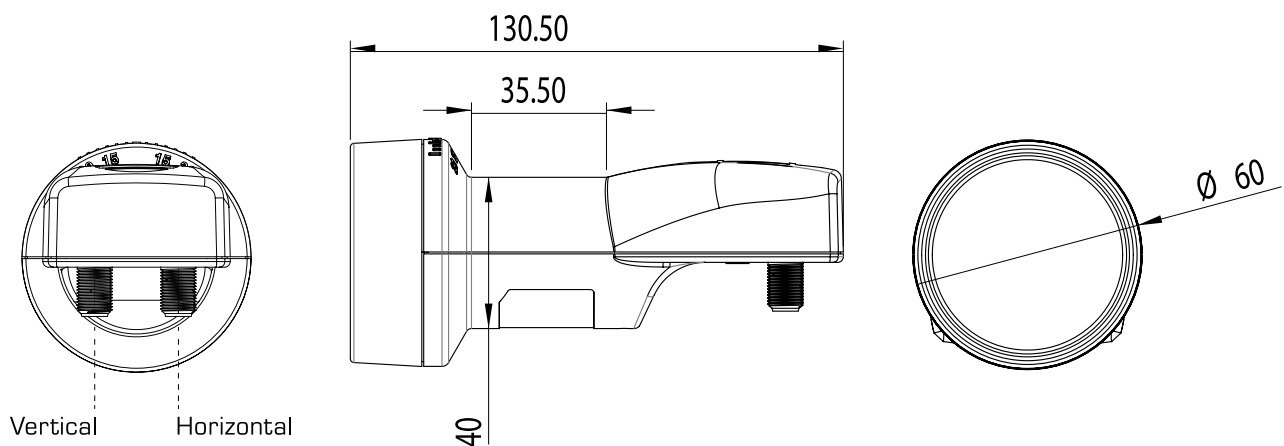
Specifically designed to meet the increasing demand of DTH operators for lower cost MDU and Multi-tuner Home Gateway installations, this professional LNB is based on a single 10.4GHz local oscillator delivering outstanding RF performance over the entire frequency range (L-band) over two output ports (vertical and horizontal) combined with a greater immunity against terrestrial/4G interferences. Manufactured to the highest industry quality standards and designed to meet strict specifications, this LNB is an ideal solution for a cost-effective reception of one satellite and its distribution to multi-tuner home gateways or to compatible Unicable II (dCSS) wideband multiswitches.

Main Features:

- Low Phase Noise, DVB-S2 (HDTV) compliant
- Low Noise Figure
- Low power consumption
- High Cross Polarization Isolation
- High Frequency stability
- Greater immunity against 4G interferences

Technical data

Wide band I/P Frequency Range	10.70 ~ 12.75 GHz
O/P Frequency Range	300 ~ 2350 MHz
LO Frequency @ 25°C	10.4 GHz ± 1 MHz
LO Temperature Drift (-30 ~ +60 °C)	10.4 GHz ± 2 MHz
LO Phase Noise	-80dBc/Hz @ 10KHz
Noise Figure Max dB	1dB Max.
Conversion Gain	50dB ~ 60dB
Gain Variation	5dB (max.)
Gain Flatness (27 MHz)	±0.5dB/27MHz
Cross Polarization isolation	22dB (min.)
Image Rejection (8.05-10.1 GHz)	40dB (min.)
P1dB	0dBm (min.)
O/P VSWR	2.5:1 (max.)
O/P Spurious	-60dBm (max.)
DC Power 10-10V max. mA	150mA Max.
Feed Horn Diameter	55mm
Neck Diameter	40mm



For purpose of brevity, some product descriptions in this sheet remain at platform level and may not be referred to as detailed datasheets of the products. Inverto Digital Labs reserves the right to amend, omit or add products, product-lines, and / or features without notice.

For further details contact: sales@inverto.tv

FTA Communication Technologies S.a r.l Tel. +352 264 367 1 Fax. +352 264 313 68

